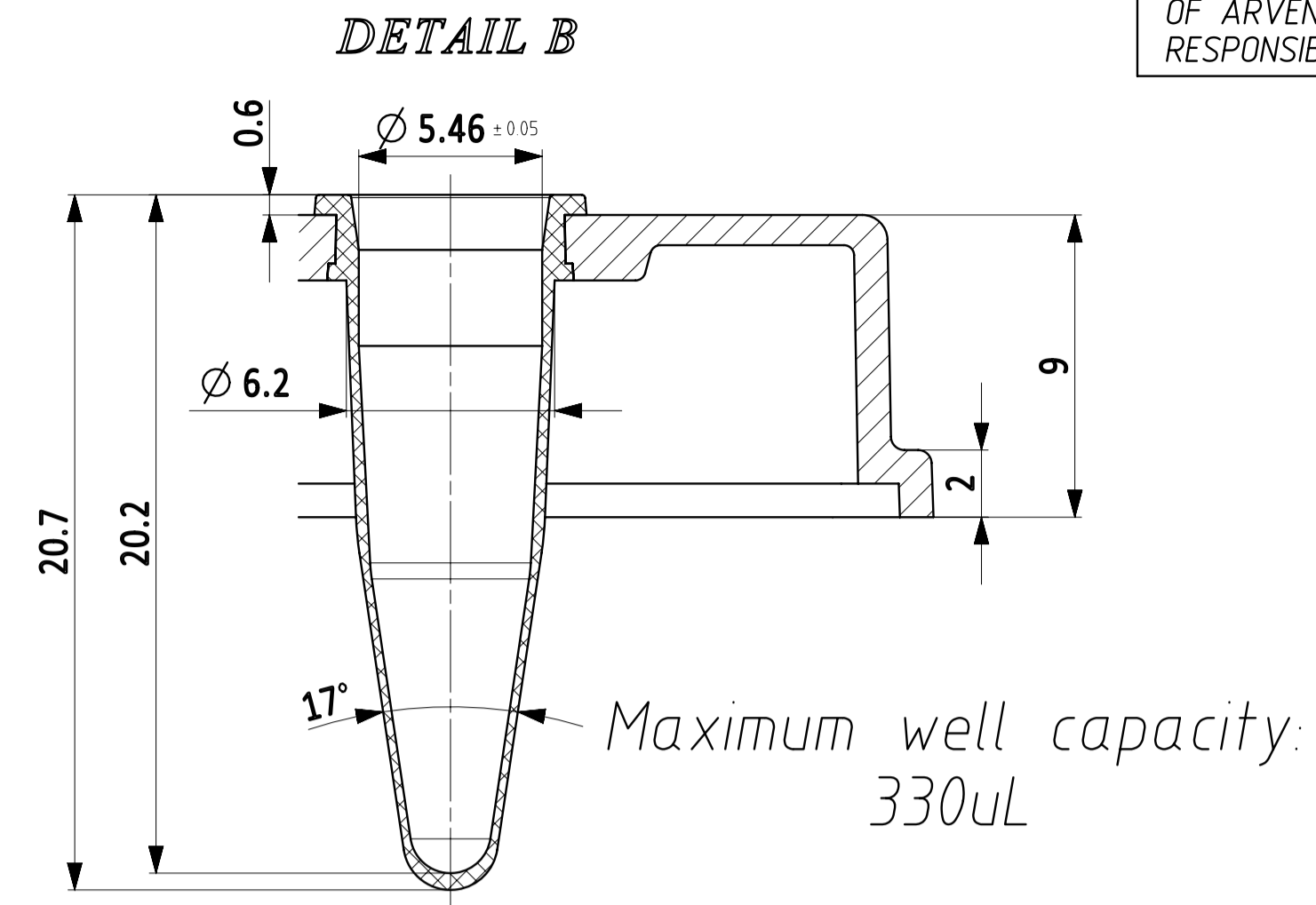
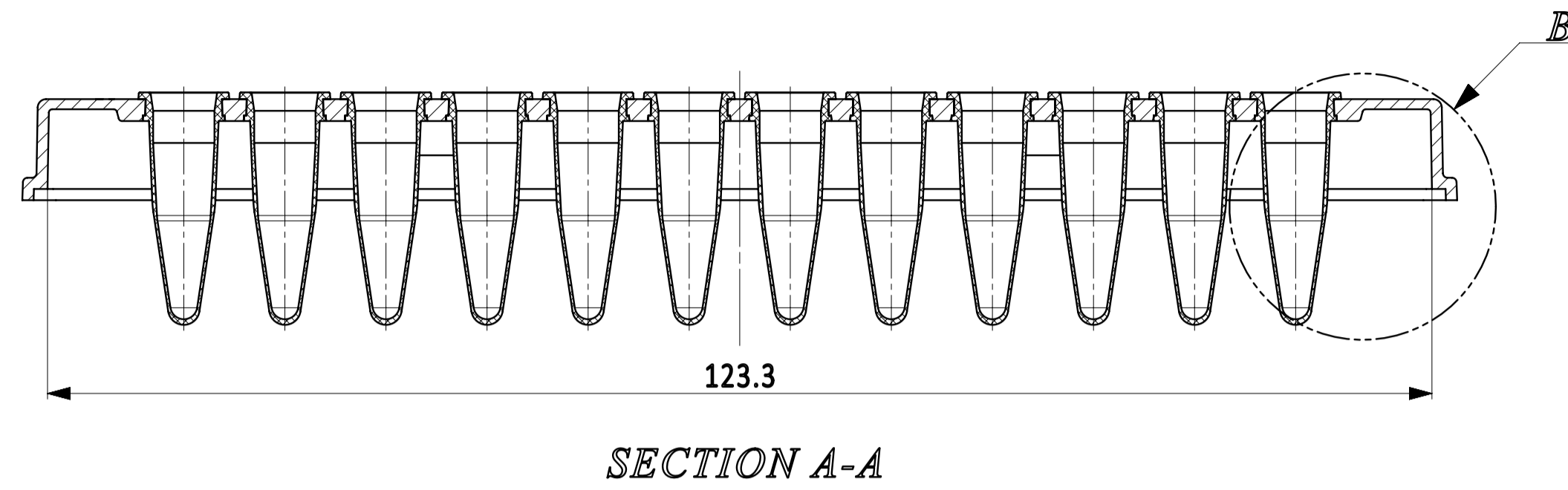
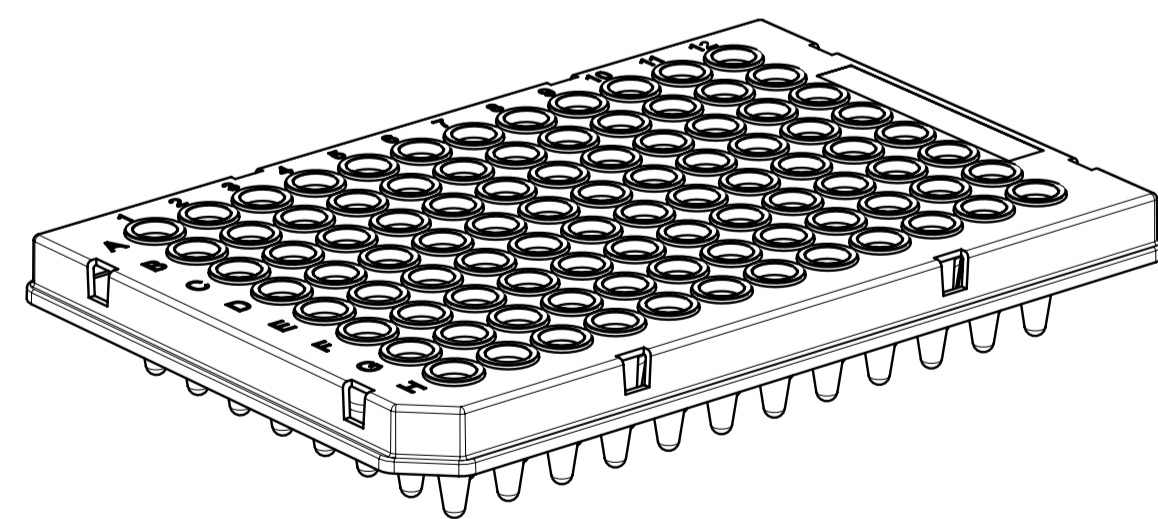
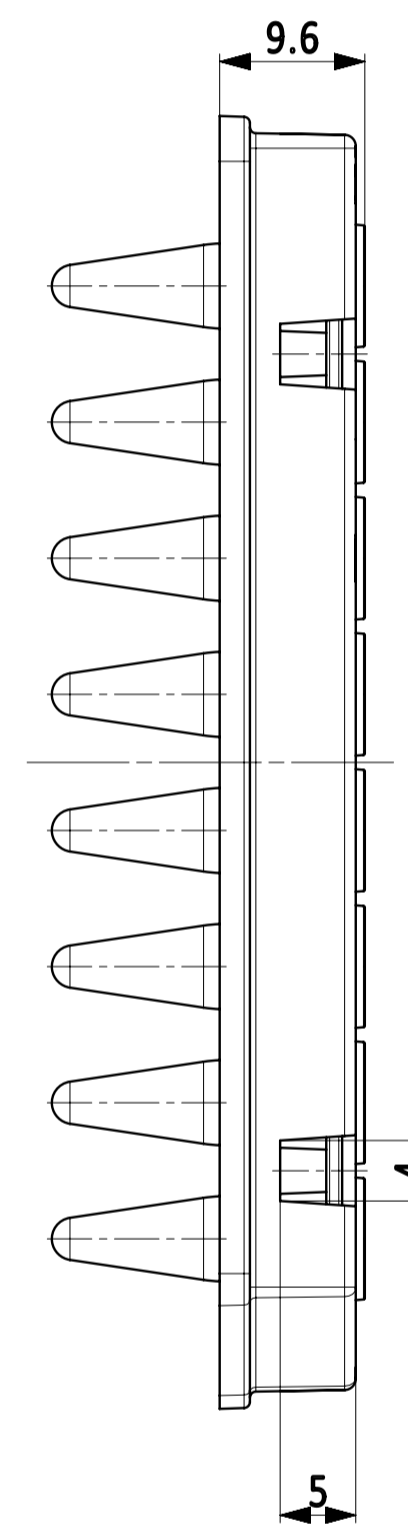
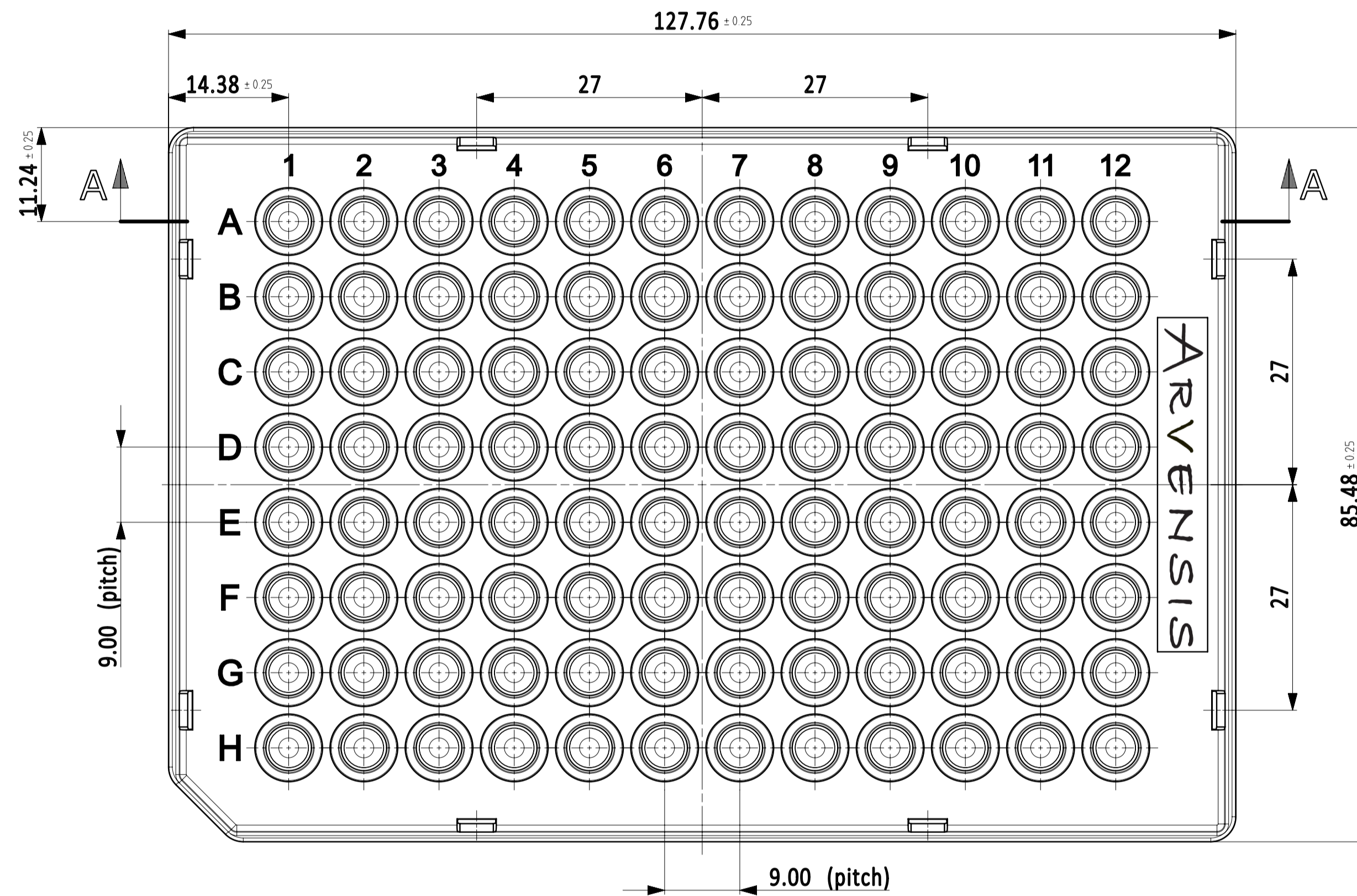


THE INFORMATION CONTAINED IN THIS DRAWING IS PROPERTY OF ARVENSIS LTD. ANY REPRODUCTION IN PART OR WHOLE WITHOUT THE WRITTEN PERMISSION OF ARVENSIS LTD IS PROHIBITED. UPON RECEIPT OF WHICH IT IS THE USERS RESPONSIBILITY TO SEEK CONFIRMATION OF ANY DIMENSIONS AND TOLERANCES.



ALL GRID REFERENCES ARE HOT FOILED



SCALE 1:1

MARKETING DRAWING

REV	DATE	DESCRIPTION OF CHANGE	Changed by	Project	Designer	GENERAL TOLERANCES		DIMENSIONS NOT SHOWN ON DRAWING ARE CONTROLLED BY 3D CAD FILE		ARVENSIS	
				Customer:	Drawn date: 02.01.2022	Dimension rank	Tolerance	DO NOT SCALE PRINTS UNLESS OTHERWISE SPECIFIED ALL DIMENSIONS ARE IN MM		Title: Arvensis 96 Well PCR Plate, Semi-Skirted, Universal style, H1 cut corner, Standard Profile 0.3mL wells	
				Material: SEE NOTES	Approved by: Paul Day	Angular	± 0.25°	FIRST ANGLE PROJECTION		Drawing no:	Revision:
				Finish: SEE NOTES	Sheet 1 OF 1	0-6	± 0.05	CAD file: AR-010-TF96_rev_1.prt		AR-010-TF-96_rev_1	1
					Scale: 2:1	6-30	± 0.10				
					Size: A1	30-120	± 0.15				
						120-315	± 0.25				